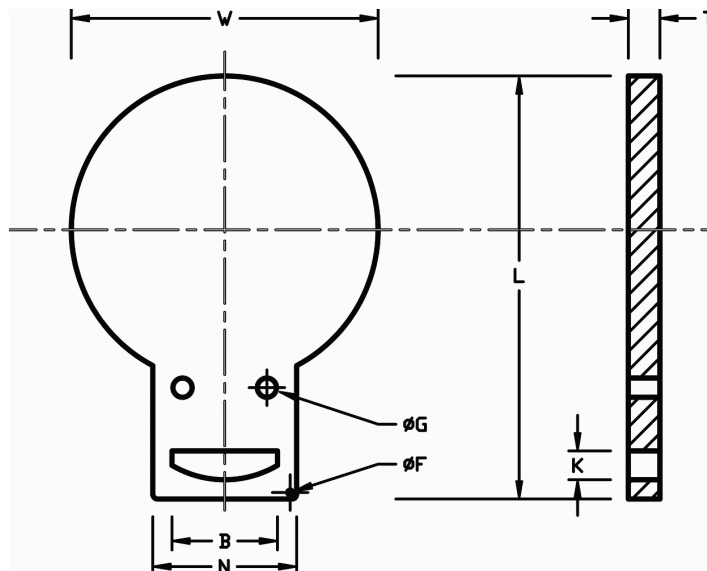


STEINMANS SAFETY BLIND - RAISED FACE OR PLAIN FACE FLANGES

| | | | |
|---------------------|------------------------------------|--|-------------------------|
| Client Name: | Provided by: Steinmans, LLC | Item No.: SB-0900-12HF-0600-A36CS | Revision: REV-01 |
| Company: | Prepared by: DSF | Design Type: STEINMANS Safety Blind | Date: 09/17/2010 |

- Quantity: 1
 Item Description: STEINMANS Safety Blind
 Line Size, NPS: 6
 Material of Blank/Spacer: ASTM A36 Carbon Steel Pl.
 Flange Class Rating: Class 900
 Facing Type: Plain Face
 Facing Finish: Mill Finish
 *Standards: (a) ASME B16.5 Flanges, NPS 1/2 thru 24
 (b) ASME B16.48 Line Blanks
 (c) ASME B31.3 Process Piping
 Dimensional Tolerance: +/- 0.03 in.
 Thickness Tolerance: ASTM Plate Standard
 Weight Density (lb/in³): 0.289
 Corrosion Allowance: 0.000 in.
 Design Temperature: N/A
 Allowable Pressures (psig): NOT RATED FOR PRESSURE
 Construction of Design: One Piece Construction
 Material of Handle/Web: N/A - Handle Not Separate (One Piece Construction)
 Welding Requirements: No Welding Required (One Piece Construction)
 Coating: Shop Paint (Flat Black)
 Special Features: None



| Dimensions | | |
|------------|------|-----|
| | Inch | mm |
| L = | 17.6 | 447 |
| W = | 11.3 | 287 |
| N = | 6.5 | 165 |
| G = | 1.3 | 33 |
| F = | 0.3 | 7 |
| B = | 4.5 | 114 |
| K = | 1.5 | 38 |
| T = | 0.13 | 3 |

| Weight | |
|--------|-----|
| Lbs | kg |
| 4.9 | 2.2 |

| Markings |
|---|
| STEINMANS A 36 - CS 900# 6 1/8 THK |

| Inverted Bottom Marking |
|-------------------------|
| 900# 6 |

- Notes:
- (1) Marking: Safety Blanks shall be permanently marked as follows:
 - (a) STEINMANS
 - (b) Material specification and grade (abbreviated)
 - (c) Flange class (abbreviated)
 - (d) Pipe Size (NPS)
 - (e) Thickness (Inches)
 - (2) Hole size "G", shall be the same size as the flange bolt hole.
 - (3) Customer to provide all required design specifications prior to placing order. Design Specifications are as follows:
 - (a) Pipe Size, NPS
 - (b) Flange Class and type
 - (c) Material
 - (d) Special coatings (if any)
 - (e) Added corrosion thickness value (if any)
 - (4) Steinmans Safety Blinds are not designed to withstand high pressures and/or temperatures. They are to be used for temporary line blocking for potential flow only. To be used in non-energized systems.

STEINMANS, LLC

4142 Ogletown-Stanton Rd. Ste. 117
 Newark, DE 19713
 Phone: (302) 999-1784
 Fax: (302) 999-1785
sales@steinmansllc.com
www.steinmansllc.com

Copyright (c) 2010 Steinmans, LLC. All Rights Reserved.