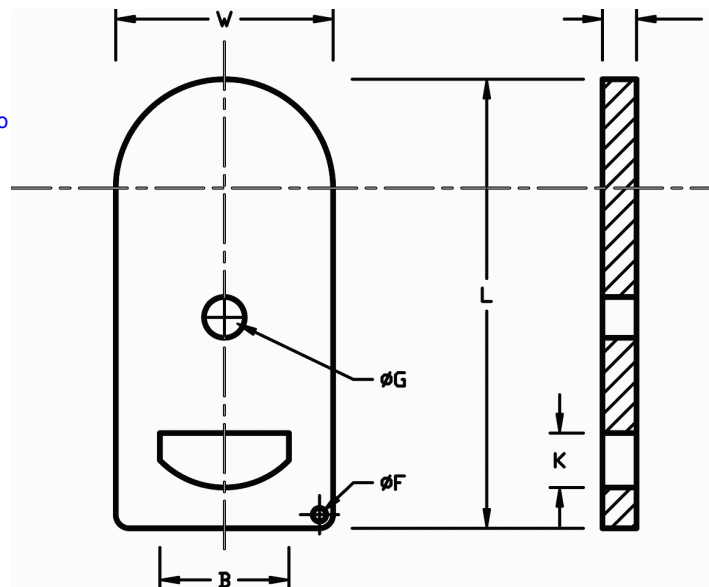


STEINMANS SAFETY BLIND - RAISED FACE OR PLAIN FACE FLANGES

| | | | |
|---------------------|------------------------------------|--|-------------------------|
| Client Name: | Provided by: Steinmans, LLC | Item No.: SB-2500-04HF-0150-316SS | Revision: REV-01 |
| Company: | Prepared by: DSF | Design Type: STEINMANS Safety Blind | Date: 09/17/2010 |

- Quantity: 1
- Item Description: STEINMANS Safety Blind
- Line Size, NPS: 1-1/2
- Material of Blank/Spacer: ASTM A 240 Gr. 316 Stainless Steel Pl. 16Cr-12Ni-2Mo
- Flange Class Rating: Class 2500
- Facing Type: Plain Face
- Facing Finish: Mill Finish
- *Standards: (a) ASME B16.5 Flanges, NPS 1/2 thru 24
(b) ASME B16.48 Line Blanks
(c) ASME B31.3 Process Piping
- Dimensional Tolerance: +/- 0.03 in.
- Thickness Tolerance: ASTM Plate Standard
- Weight Density (lb/in³): 0.289
- Corrosion Allowance: 0.000 in.
- Design Temperature: N/A
- Allowable Pressures (psig): **NOT RATED FOR PRESSURE**
- Construction of Design: One Piece Construction
- Material of Handle/Web: N/A - Handle Not Separate (One Piece Construction)
- Welding Requirements: No Welding Required (One Piece Construction)
- Coating: None
- Special Features: None



| Dimensions | | |
|------------|------|-----|
| | Inch | mm |
| L = | 9.3 | 236 |
| W = | 4.5 | 114 |
| N = | n/a | n/a |
| G = | 1.3 | 33 |
| F = | 0.3 | 7 |
| B = | 3.4 | 86 |
| K = | 1.0 | 25 |
| T = | 0.13 | 3 |

| Weight | |
|--------|-----|
| Lbs | kg |
| 1.3 | 0.6 |

| Markings |
|---|
| STEINMANS A 240 - 316 SS 2500# 1-1/2 1/8 THK |

| Inverted Bottom Marking |
|-------------------------|
| 2500# 1-1/2 |

- Notes:
- (1) Marking: Safety Blanks shall be permanently marked as follows:
 - (a) STEINMANS
 - (b) Material specification and grade (abbreviated)
 - (c) Flange class (abbreviated)
 - (d) Pipe Size (NPS)
 - (e) Thickness (Inches)
 - (2) Hole size "G", shall be the same size as the flange bolt hole.
 - (3) Customer to provide all required design specifications prior to placing order. Design Specifications are as follows:
 - (a) Pipe Size, NPS
 - (b) Flange Class and type
 - (c) Material
 - (d) Special coatings (if any)
 - (e) Added corrosion thickness value (if any)
 - (4) Steinmans Safety Blinds are not designed to withstand high pressures and/or temperatures. They are to be used for temporary line blocking for potential flow only. To be used in non-energized systems.

STEINMANS, LLC

4142 Ogletown-Stanton Rd. Ste. 117
Newark, DE 19713
Phone: (302) 999-1784
Fax: (302) 999-1785
sales@steinmansllc.com
www.steinmansllc.com

Copyright (c) 2010 Steinmans, LLC. All Rights Reserved.